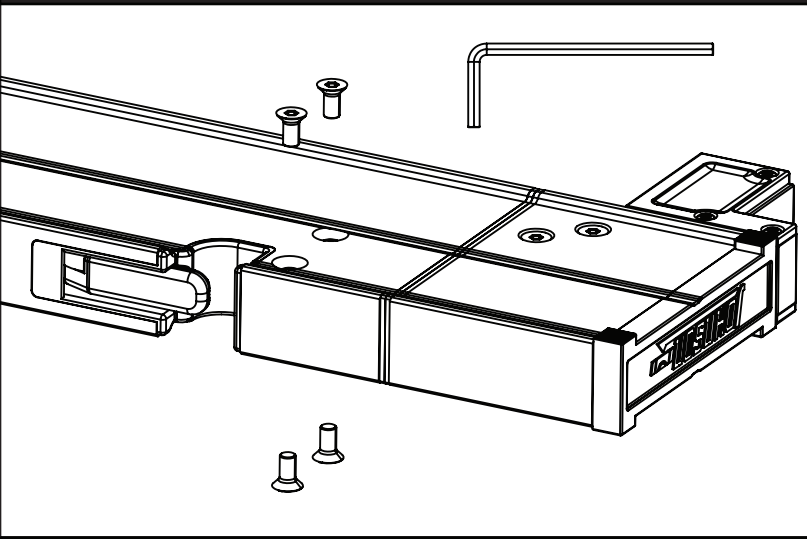
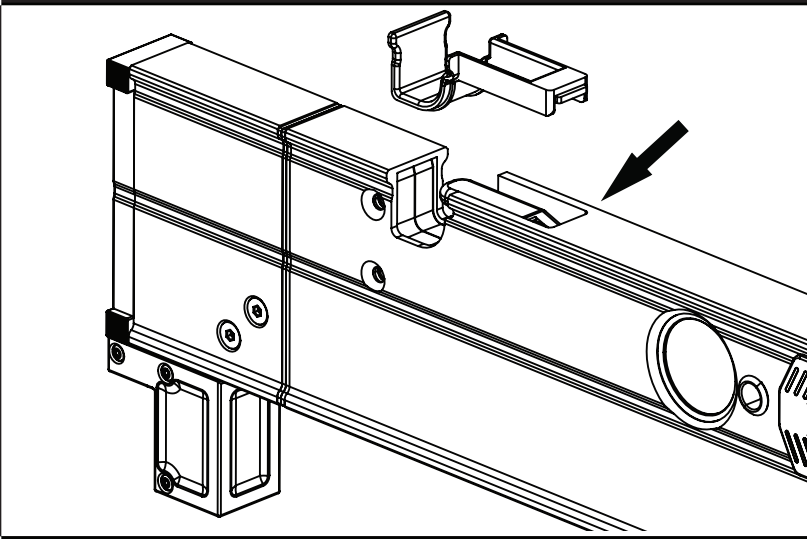


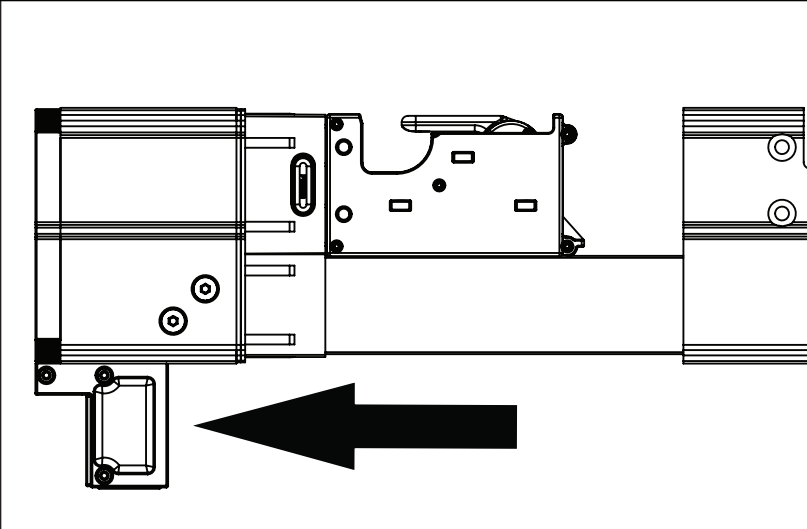
1 Remove 4 screws with provided Allen Key



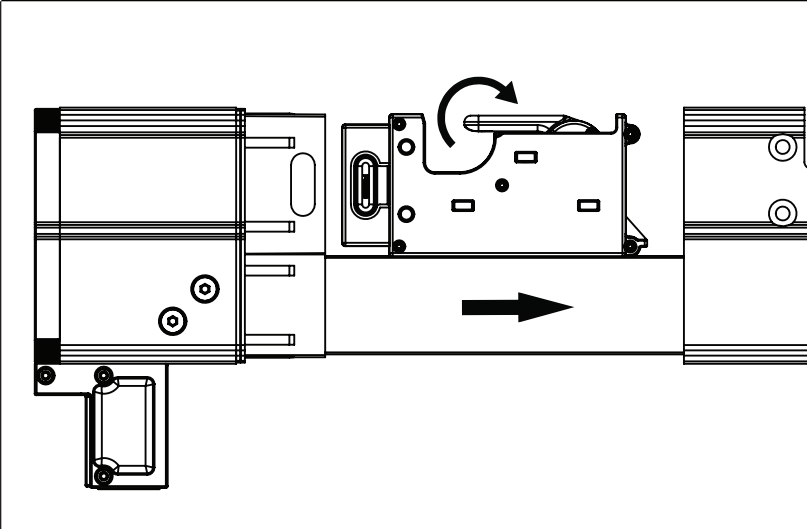
2 Remove Lock Bezel with Pry Tool



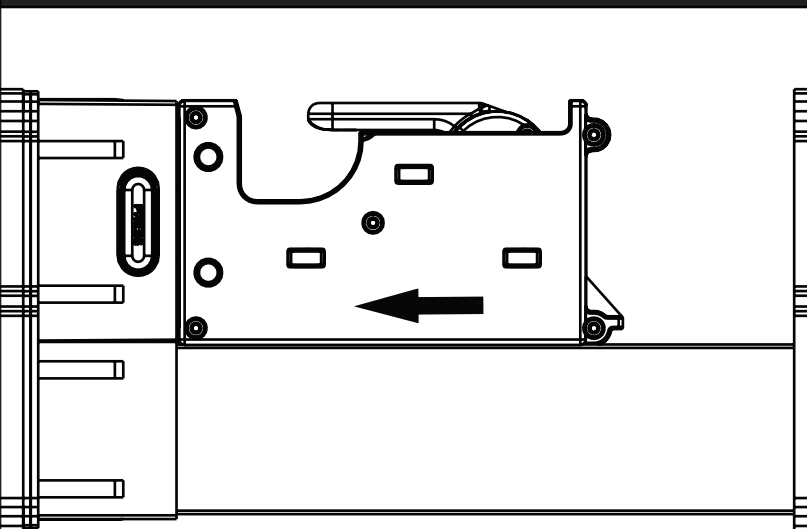
3 Push Extension Head out



4 Lift Lever and pull out to remove Module



5 Press Tabs and insert new Module



6 Pull Extension Head in body. Reassemble

